

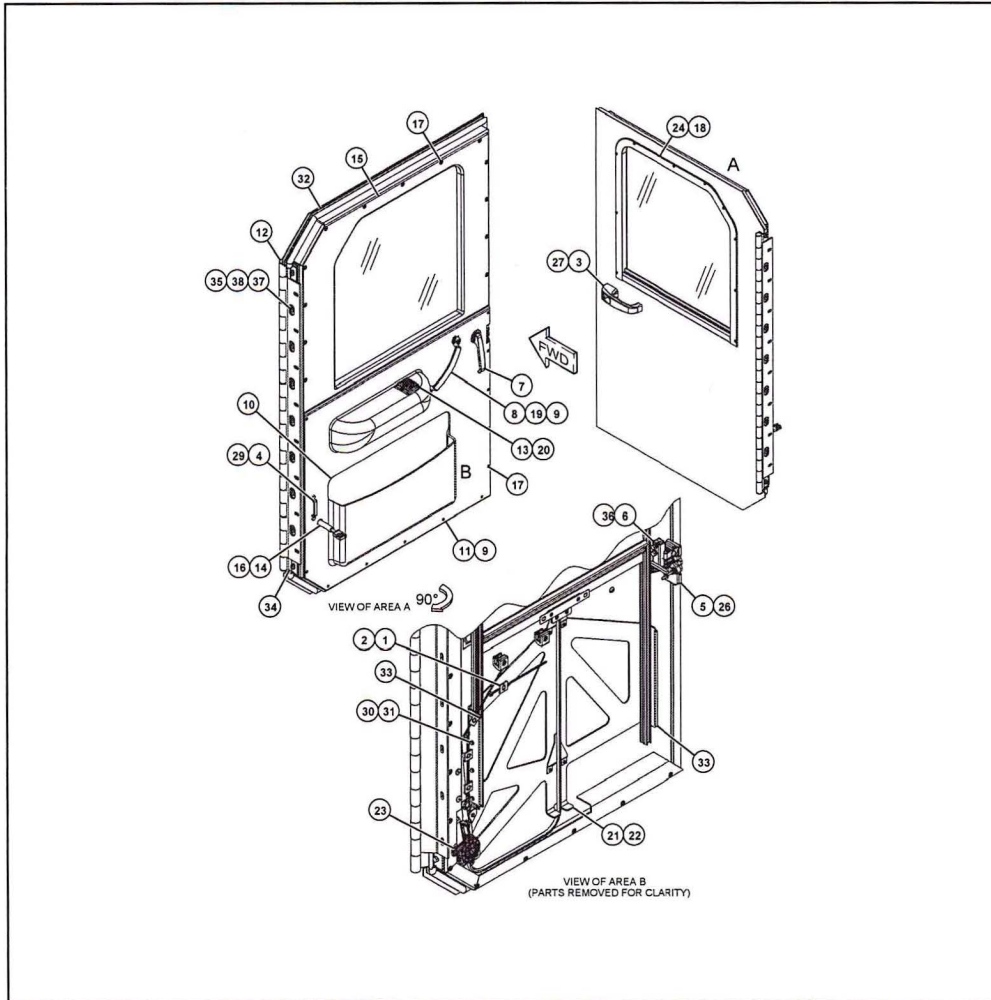


Service Information System

Previous Screen

Welcome: h430mro

Product: NO EQUIPMENT SELECTED
Model: NO EQUIPMENT SELECTED
Configuration: NO EQUIPMENT SELECTED
Change Customer Info: Please Select Customer Information



GRAPHIC #1
g06388780

Cat MT4400D AC Off-Highway Truck, Powered By 3516C GEN SET Electric Power Generation

Media Number - SEBP6359-24 | Publication Date - 01/04/2020 | Date Updated - 16/04/2020

i07628739

**483-0544 DOOR GP-CAB -LH
S/N MH41-UP; MT41-UP
PART OF 434-5573 DOOR GP-CAB
Type 2**

ENTIRE GROUP

| Ref. Qty. | NPR Note | Part No. | Part Name |
|-----------|------------|----------|-----------------|
| Grp (N/A) | <u>NPR</u> | 483-0544 | DOOR GP-CAB -LH |

INDIVIDUAL PARTS

| Ref. Qty. | NPR Note | Part No. | Req. Qty. | Part Name |
|-----------|---------------|-----------------|-----------|--|
| 1 | <u>NPR</u> | 3E-0105 | 5 | MOUNT |
| 2 | <u>NPR</u> | 3S-2093 | 5 | STRAP-CABLE |
| 3 | <u>NPR J</u> | 249-2403 | 1 | HANDLE AS Material # 20141207 |
| | <u>NPR</u> | 250-4568 | 1 | GASKET |
| 4 | <u>NPR</u> | 432-3573 | 1 | CLIP |
| 5 | <u>NPR</u> | 432-3585 | 1 | LATCH-DOOR Material # 20141208 |
| 6 | <u>NPR</u> | 432-3586 | 1 | LATCH (DOOR, LH) Material # 20860309 |
| | <u>NPR</u> | 225-8217 | 2 | INSERT-NUT (1/4-20-THD) |
| 7 | <u>NPR</u> | 432-3587 | 1 | HANDLE-LATCH (INSIDE) Material # 40552421 |
| 8 | <u>NPR</u> | 8D-7252 | 1 | HANDLE Material # 40552879 |
| 9 | <u>NPR</u> | 432-3592 | 6 | INSERT-THREADED (1/4-20-THD) |
| 10 | <u>NPR</u> | 432-3598 | 1 | PANEL-DOOR (INNER LH) |
| 11 | <u>NPR</u> | 432-3599 | 1 | PANEL (LOWER DOOR) |
| 12 | <u>NPR</u> | 432-3610 | 1 | HINGE-DOOR |
| 13 | <u>NPR</u> | 432-3612 | 2 | BEZEL |
| 14 | <u>NPR CY</u> | <u>539-6368</u> | 1 | HARNESS AS-CAB |
| 15 | <u>NPR</u> | 432-3631 | 1 | PANEL (DOOR, LH) |
| 16 | <u>NPR</u> | 432-3632 | 1 | GROMMET |
| 17 | <u>NPR</u> | 432-9164 | 28 | SCREW (NO 8-18X0.5-IN) |
| 18 | <u>NPR</u> | 432-9938 | 10 | SCREW (8-18X0.75-IN) |
| 19 | <u>NPR</u> | 6D-5799 | 4 | SCREW-SOCKET |
| 20 | <u>NPR</u> | 477-9369 | 2 | SWITCH AS (24-VOLT, 15-AMPERE)(POWER WINDOW) Material # 20860310 |
| 21 | <u>NPR</u> | 480-8892 | 1 | BRACKET |
| 22 | <u>NPR</u> | 481-1479 | 7 | SCREW (1/4-20X0.29-IN) |
| 23 | <u>NPR</u> | 481-3250 | 1 | REGULATOR (POWER WINDOW, LH) Material # 20835243 |
| 24 | <u>NPR</u> | 481-3258 | 1 | WINDOW (LH) |
| 26 | <u>NPR M</u> | 121-9870 | 4 | SCREW-MACHINE (M6X1X40-MM) |
| 27 | <u>NPR M</u> | 215-6406 | 3 | SCREW-TRUSS HEAD (M6X1X16-MM) |
| 29 | <u>NPR</u> | 7X-2501 | 2 | BOLT (1/4-20X1.25-IN) |
| 30 | <u>NPR</u> | 8T-0328 | 8 | WASHER-HARD (5.5X10X1-MM THK) |
| 31 | <u>NPR</u> | 9X-2498 | 8 | SCREW-HEX FLANGE (10-24X0.5-IN) |
| 32 | <u>NPR E</u> | 432-8003 | | SEAL (330-CM) |
| 33 | <u>NPR D</u> | 5P-5952 | | SEAL (0.3-M EACH) |
| 34 | <u>NPR CE</u> | 460-3334 | | SEAL-BULK (117-CM) |
| 35 | <u>NPR C</u> | 434-5641 | 9 | INSERT-THREADED |
| 36 | <u>NPR C</u> | 8T-8908 | 2 | BOLT (1/4-20X1-IN) |